

# P-1911 污水 / 大位移專用伸縮接頭



## EXPANSION JOINT FOR DRAINAGE / LARGE OFFSET

### ※結構組合 (CONSTRUCTION)

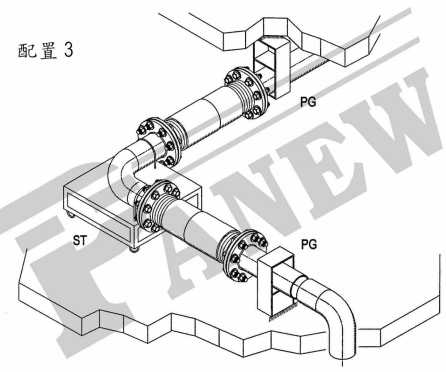
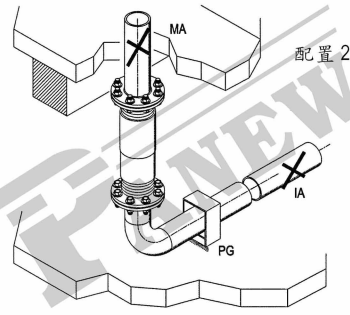
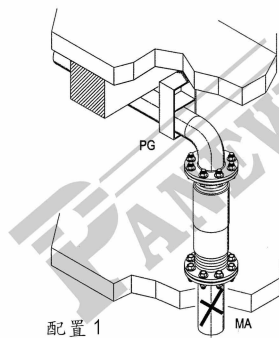
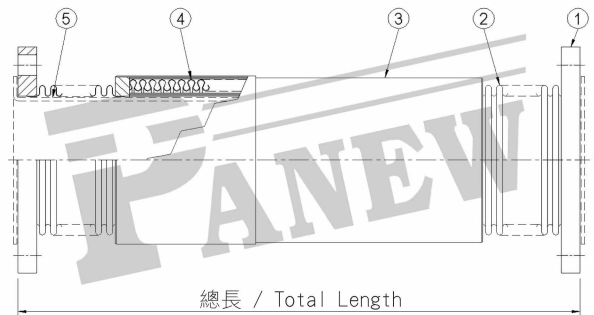
項次 Item	配件名稱 Parts	標準材料 Std. Material	選用材料 Option Material
1.	法蘭(FLANGE)	SS-400	SUS-304 / SUS-316
2.	波紋管(BELLOWS 1.)	SUS-304	SUS-316L / 321
3.	外筒(COVER)	SS-400	SUS-304
4.	波紋管(BELLOWS 2.)	SUS-304	SUS-316L / 321
5.	內襯(LINING)	RUBBER	#

#EPDM, Neoprene, Nitrile, Hypalon, Butyl...etc.

@法蘭標準規格 (Flange Standard): JIS-10K

其餘規格亦可依實際需求選用, 如ANSI, DIN, BS...等。

Other standard flanges are available, like ANSI, DIN, BS...etc.



### ※規格說明 / STANDARD SPECIFICATION

H: Helical / A: Annular S: Single Braid / D: Double Braids

公稱軟管管徑		產品總長		波紋管規格 / Bellows Specification				變位量 (movement)		操作壓力	單位重量
Nominal Hose I.D.		Total Length		有效長度	外徑	有效面積	彈性係數	Axial movement	Lateral deflection	working pressure	unit weight
mm	inch	mm	inch	Lb (mm)	mm	cm <sup>2</sup>	kg/mm	ΔZ(mm)	ΔT(mm)	kg/cm <sup>2</sup>	kg/set
40	1-1/2	1000	40	56	65.7	25.4	0.1	---	600	2	---
50	2	1000	40	80	81.2	38.7	0.1	---	600	2	---
65	2-1/2	1000	40	100	97.2	58.4	0.1	---	600	2	---
80	3	1100	44	84	113.7	79.6	0.1	---	600	2	---
100	4	1200	48	96	139.7	126.1	0.1	---	600	2	---
125	5	1300	52	108	165.7	183.1	0.1	---	600	2	---
150	6	1350	53	120	196.7	255.9	0.2	---	600	2	---
200	8	1500	60	135	247.7	420.9	0.2	---	600	2	---
250	10	1600	63	200	299.7	630.2	0.7	---	600	2	---

公稱軟管管徑		產品總長		波紋管規格 / Bellows Specification				變位量 (movement)		操作壓力	單位重量
Nominal Hose I.D.		Total Length		有效長度	外徑	有效面積	彈性係數	Axial movement	Lateral deflection	working pressure	unit weight
mm	inch	mm	inch	Lb (mm)	mm	cm <sup>2</sup>	kg/mm	ΔZ(mm)	ΔT(mm)	kg/cm <sup>2</sup>	kg/set
40	1-1/2	1200	48	56	65.7	25.4	0.1	---	800	2	---
50	2	1200	48	80	81.2	38.7	0.1	---	800	2	---
65	2-1/2	1200	48	100	97.2	58.4	0.1	---	800	2	---
80	3	1350	54	84	113.7	79.6	0.1	---	800	2	---
100	4	1500	60	96	139.7	126.1	0.1	---	800	2	---
125	5	1600	62	108	165.7	183.1	0.1	---	800	2	---
150	6	1700	68	120	196.7	255.9	0.2	---	800	2	---
200	8	1900	76	135	247.7	420.9	0.2	---	800	2	---
250	10	1900	76	200	299.7	630.2	0.7	---	800	2	---

#上表所示口徑 / 操作壓力 / 總長 / 作動量均為標準規格, 本公司亦可依客戶實際需求訂製。

The size, working pressure, total length, and movement tabulated above is the standard products. We can also deliver products against your requests.

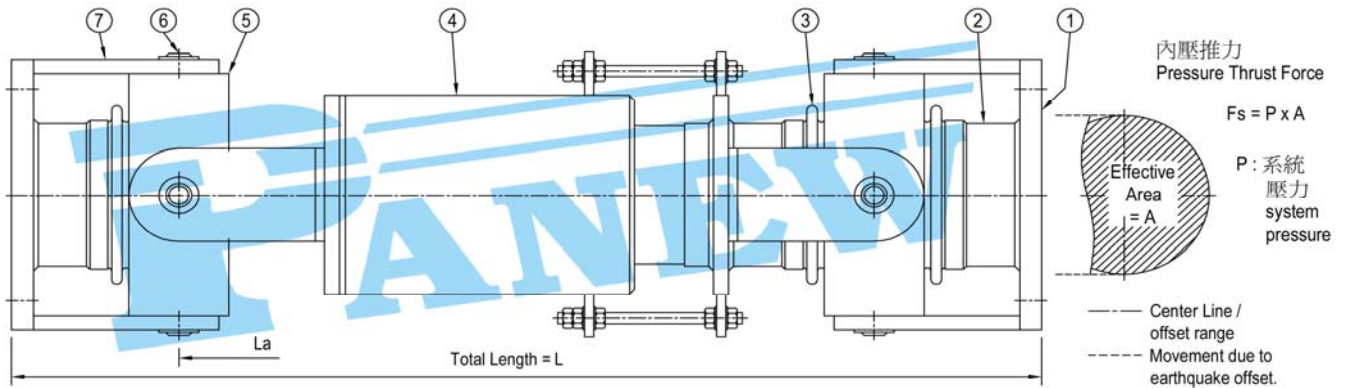
#上表所示操作壓力以常溫100°C為基準, 其最大使用壓力為 1.5 倍之工作壓力值。

The working pressure tabulated above is based on 100°C. The maximum operating pressure is 1.5 times the working pressure tabulated above.

#上表所示產品重量, 均以 JIS-10K 為準, 如需其它規格重量或相關資料, 請與我們聯絡。

The unit weight of the products tabulated above are based on JIS-10K flanges. If you need more information, please feel free to contact us any time.

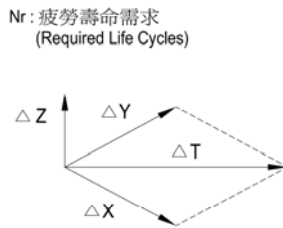
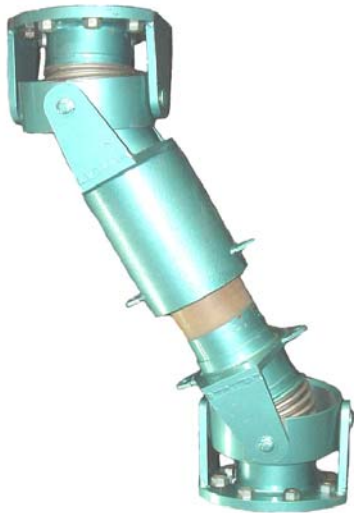
EXPANSION JOINT FOR EARTHQUAKE ISOLATION / LARGE OFFSET



結構組合(Construction):

項次 Item	配件名稱 Parts	標準材質 Std. Material	選用材質 Option Material
1.	法蘭(Flange)	SS-400	SUS-304/316
2.	端管(End Pipe)	STPG/SS-400	SUS-304/316
3.	波紋管(Bellows)	SUS-304	SUS-316
4.	外管(Cover Pipe)	STPG/SS-400	SUS-304/316
5.	平衡環(Gimbals Ring)	SS-400	SUS-304
6.	插銷(Pin)	SS-400	SUS-304
7.	懸臂(Holding Arm)	SS-400	SUS304

# 法蘭以JIS-10K為標準,其餘規格亦可依實際需求選用,如 ANSI, DIN, BS...等。  
The standard Flange is based on JIS-10K, other flanges are available, like ANSI, DIN, BS...etc.  
# 本產品依EJMA規範設計生產,產品壽命於最大作動量時達200次以上。  
Our products are designed and manufactured according to EJMA. The max. life cycles of our products exceed 200 cycles.

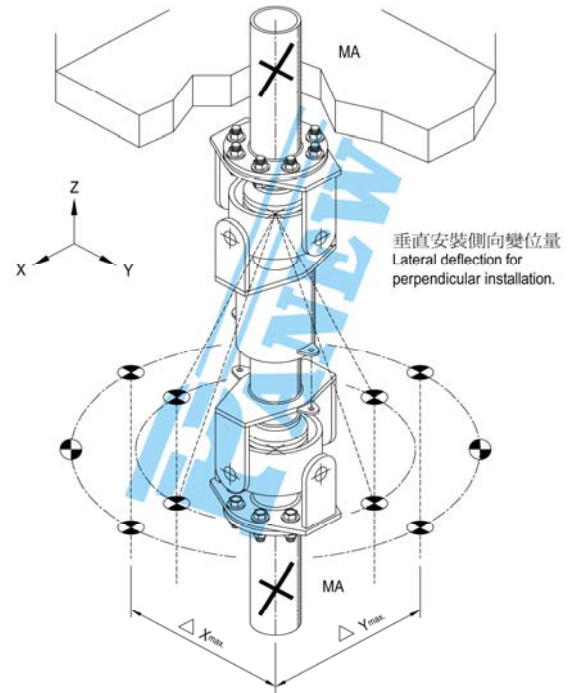


$$\Delta T = \sqrt{\Delta X^2 + \Delta Y^2}$$

$$La = \sqrt{\Delta T^2 + Lb^2}$$

$$La' = \sqrt{\Delta T_{max}^2 + Lb^2}$$

$$Nr = 200 / \left( \frac{La - Lb}{La' - Lb} \right)^{3.4}$$



□ P-5850 / 10K-400mm性能規格表(Specification)

\* 下表單位重量僅供參考 / The unit weight below is just for reference.

公稱管徑 N.D.		# 產品總長 Length (L)		Total	波紋管規格 (Bellows Specification)		側向變位 Lateral Deflection	操作壓力 working pressure	單品重量 Weight/pc (JIS-10K)
mm	inch	mm	inch		外徑 Φ O.D.	有效面積 Eff. Area	Δ T (mm)	kg/cm <sup>2</sup>	kg/pc
50	2	900	36		81.2	39.3	400	10	24.1
65	2-1/2	950	38		97.2	59.0	400	10	32.6
80	3	950	38		113.7	80.4	400	10	37.6
100	4	1000	40		139.7	127.1	400	10	50.5
125	5	1100	44		165.7	184.3	400	10	64.4
150	6	1100	44		196.7	257.6	400	10	81.7
200	8	1200	48		247.7	423.1	400	10	122.2
250	10	1300	52		305.7	646.5	400	10	197.3
300	12	1300	52		355.5	890.4	400	10	244.2

# 上表所示口徑 / 操作壓力 / 總長 / 作動量均為標準規格,本公司亦可依客戶實際需求訂製。

The size, working pressure, total length, and movement tabulated above is the standard products. We can also deliver products against your requests.

# 上表所示工作壓力以溫度70°C為基準,其最大使用壓力為1.5倍之工作壓力值。

The working pressure tabulated above is based on 70°C. The maximum operating pressure is 1.5 times the working pressure tabulated above.

## GIMBAL / UNIVERSAL TYPE EXPANSION JOINT

□ P-5850 / 16K-400mm性能規格表(Specification)

\* 下表單位重量僅供參考 / The unit weight below is just for reference.

公稱管徑 N.D.		# 產品總長 Length (L)		Total	波紋管規格 (Bellows Specification)		側向變位 Lateral Deflection △ T(mm)	操作壓力 working pressure kg/cm <sup>2</sup>	單品重量 Weight/pc (JIS-16K) kg/pc
mm	inch	mm	inch		外徑 Φ O.D. ΦD (mm)	有效面積 Eff. Area A (cm <sup>2</sup> )			
50	2	900	36		81.2	39.3	400	16	23.4
65	2-1/2	950	38		97.2	59.0	400	16	35.2
80	3	1000	40		113.7	80.4	400	16	45.7
100	4	1100	44		139.7	127.1	400	16	64.9
125	5	1300	52		165.7	184.3	400	16	82.7
150	6	1300	52		196.7	255.9	400	16	117.0
200	8	1300	52		247.7	420.9	400	16	181.9

□ P-5850 / 10K-600mm性能規格表(Specification)

\* 下表單位重量僅供參考 / The unit weight below is just for reference.

公稱管徑 N.D.		# 產品總長 Length (L)		Total	波紋管規格 (Bellows Specification)		側向變位 Lateral Deflection △ T(mm)	操作壓力 working pressure kg/cm <sup>2</sup>	單品重量 Weight/pc (JIS-10K) kg/pc
mm	inch	mm	inch		外徑 Φ O.D. ΦD (mm)	有效面積 Eff. Area A (cm <sup>2</sup> )			
50	2	1100	44		81.2	39.3	600	10	27.9
65	2-1/2	1150	46		97.2	59.0	600	10	37.2
80	3	1150	46		113.7	80.4	600	10	43.0
100	4	1200	48		139.7	127.1	600	10	57.6
125	5	1300	52		165.7	184.3	600	10	72.7
150	6	1300	52		196.7	257.6	600	10	93.4
200	8	1500	60		247.7	423.1	600	10	141.6
250	10	1500	60		305.7	646.5	600	10	220.0
300	12	1700	64		355.5	890.4	600	10	285.8

□ P-5850 / 16K-600mm性能規格表(Specification)

\* 下表單位重量僅供參考 / The unit weight below is just for reference.

公稱管徑 N.D.		# 產品總長 Length (L)		Total	波紋管規格 (Bellows Specification)		側向變位 Lateral Deflection △ T(mm)	操作壓力 working pressure kg/cm <sup>2</sup>	單品重量 Weight/pc (JIS-16K) kg/pc
mm	inch	mm	inch		外徑 Φ O.D. ΦD (mm)	有效面積 Eff. Area A (cm <sup>2</sup> )			
50	2	1100	44		81.2	39.3	600	16	27.3
65	2-1/2	1150	46		97.2	59.0	600	16	40.9
80	3	1300	52		113.7	80.4	600	16	54.6
100	4	1400	56		139.7	127.1	600	16	76.3
125	5	1500	60		165.7	184.3	600	16	93.6
150	6	1500	60		196.7	255.9	600	16	132.9
200	8	1700	68		247.7	420.9	600	16	199.6

□ P-5850 / 10K-800mm性能規格表(Specification)

\* 下表單位重量僅供參考 / The unit weight below is just for reference.

公稱管徑 N.D.		# 產品總長 Length (L)		Total	波紋管規格 (Bellows Specification)		側向變位 Lateral Deflection △ T(mm)	操作壓力 working pressure kg/cm <sup>2</sup>	單品重量 Weight/pc (JIS-10K) kg/pc
mm	inch	mm	inch		外徑 Φ O.D. ΦD (mm)	有效面積 Eff. Area A (cm <sup>2</sup> )			
50	2	1300	52		81.2	39.3	800	10	31.8
65	2-1/2	1400	56		97.2	59.0	800	10	42.7
80	3	1400	56		113.7	80.4	800	10	48.7
100	4	1500	60		139.7	127.1	800	10	66.2
125	5	1600	64		165.7	184.3	800	10	82.2
150	6	1600	64		196.7	257.6	800	10	107.0
200	8	1800	72		247.7	423.1	800	10	159.1
250	10	1800	72		305.7	646.5	800	10	247.9
300	12	2000	80		355.5	890.4	800	10	319.5

□ P-5850 / 16K-800mm性能規格表(Specification)

\* 下表單位重量僅供參考 / The unit weight below is just for reference.

公稱管徑 N.D.		# 產品總長 Length (L)		Total	波紋管規格 (Bellows Specification)		側向變位 Lateral Deflection △ T(mm)	操作壓力 working pressure kg/cm <sup>2</sup>	單品重量 Weight/pc (JIS-16K) kg/pc
mm	inch	mm	inch		外徑 Φ O.D. ΦD (mm)	有效面積 Eff. Area A (cm <sup>2</sup> )			
50	2	1300	52		81.2	39.3	800	16	31.1
65	2-1/2	1400	56		97.2	59.0	800	16	47.7
80	3	1600	64		113.7	80.4	800	16	63.0
100	4	1700	68		139.7	127.1	800	16	87.5
125	5	1800	72		165.7	184.3	800	16	106.4
150	6	1800	72		196.7	255.9	800	16	151.0
200	8	2000	80		247.7	420.9	800	16	226.5

# 上表所示口徑 / 操作壓力 / 總長 / 作動量均為標準規格，本公司亦可依客戶實際需求訂製。

The size, working pressure, total length, and movement tabulated above is the standard products. We can also deliver products against your requests.

# 上表所示工作壓力以溫度70°C為基準，其最大使用壓力為1.5倍之工作壓力值。

The working pressure tabulated above is based on 70°C. The maximum operating pressure is 1.5 times the working pressure tabulated above.